

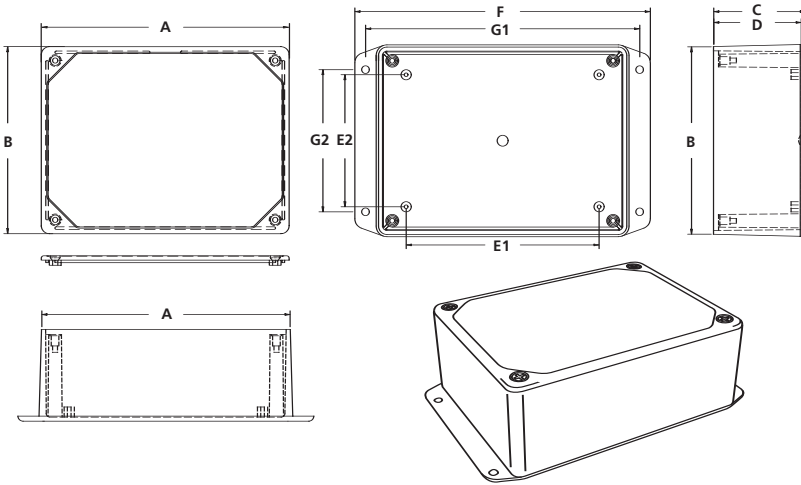


Order On Line  
[www.polycase.com](http://www.polycase.com)  
[sales@polycase.com](mailto:sales@polycase.com)  
**800-248-1233**  
 Fax: 440-934-0088

# PLASTIC ENCLOSURES FOR ELECTRONICS

## DC Product Features

- | Material   | Design   | Additional Info   |
|--|--|---|
| <ul style="list-style-type: none"> <li><b>Material:</b> Flame retardant ABS plastic</li> <li><b>Flame Rating:</b> UL's best flame rating of 94-5VA (DC-34, 44, 46 &amp; 47 are UL94V-0 with recessed cover option)</li> <li><b>Surface:</b> Textured finish</li> </ul> | <ul style="list-style-type: none"> <li><b>PC Board Mounting:</b> Four PC board mounting bosses. DC-58 &amp; DC-96 have eight mounting bosses. DC-85 has eight mounting bosses in the base plus eight in the case</li> <li><b>Mounting Flanges:</b> Available with or without mounting flanges</li> <li><b>Closure:</b> Screw into threaded brass inserts for cover on/cover off applications</li> <li><b>Cover:</b> Two styles – area on cover may be flush, textured or recessed, smooth for graphic overlays or membrane keypads. Recessed covers are also available in clear*</li> <li><b>Gasket:</b> DC-58 &amp; 85 have an optional rubber gasket for moisture and dust resistance</li> </ul> | <ul style="list-style-type: none"> <li><b>Colors:</b> Black, bone or gray</li> <li>Insert mold capability allows for custom molding without expensive tooling</li> <li>* Clear covers may require a minimum order quantity</li> </ul> |



Catalog Number	Length A	Width B	Height C	Inside Depth D	PCB Bosses E1 E2	Mtg. Boss Height	Mtg. Flange Length F	Mtg. Flange Holes G1 G2
DC-34P	4.610	3.100	1.770	1.670	3.250 X 1.750	0.250		
DC-34F	4.610	3.100	1.770	1.670	3.250 X 1.750	0.250	5.770	5.250 X 2.250
DC-44P	4.620	4.620	2.255	2.155	3.250 X 3.250	0.250		
DC-44F	4.620	4.620	2.255	2.155	3.250 X 3.250	0.250	5.775	5.250 X 3.500
DC-46P	6.125	4.620	2.255	2.155	4.750 X 3.250	0.250		
DC-46F	6.125	4.620	2.255	2.155	4.750 X 3.250	0.250	7.285	6.750 X 3.500
DC-47P	7.620	4.620	2.255	2.155	6.250 X 3.250	0.250		
DC-47F	7.620	4.620	2.255	2.155	6.250 X 3.250	0.250	8.790	8.250 X 3.500
DC-58P	8.250	5.000	3.000	2.890	6.750 X 3.500	0.250		
DC-58F	8.250	5.000	3.000	2.890	6.750 X 3.500	0.250	9.375	8.875 X 3.375
DC-85P	8.250	5.000	4.330	4.080	6.750 X 3.500	0.250		
DC-85F	8.250	5.000	4.330	4.080	6.750 X 3.500	0.250	9.375	8.875 X 3.375
<b>NEW DC-96P</b>	<b>10.000</b>	<b>6.000</b>	<b>3.000</b>	<b>2.895</b>	<b>8.500 X 4.500</b>	<b>0.250</b>		
<b>NEW DC-96F</b>	<b>10.000</b>	<b>6.000</b>	<b>3.000</b>	<b>2.895</b>	<b>8.500 X 4.500</b>	<b>0.250</b>	<b>11.400</b>	<b>10.750 X 4.000</b>

Dimensions are nominal and in inches  
 Mounting boss screws are available for purchase (4-24 x 1/4 inch thread forming screw) Bag of 100, \$2.50

**Enclosure includes case, cover and screws for enclosure assembly**  
**WHEN ORDERING, PLEASE SPECIFY:**

- Catalog Number** – With or without mounting flanges
- Cover Style** – Flush, textured or recessed, smooth area. For a clear cover, ask your Customer Service Representative.
- Mounting Boss Screws** – Specify Yes or No
- Color** – Black, Bone or Gray